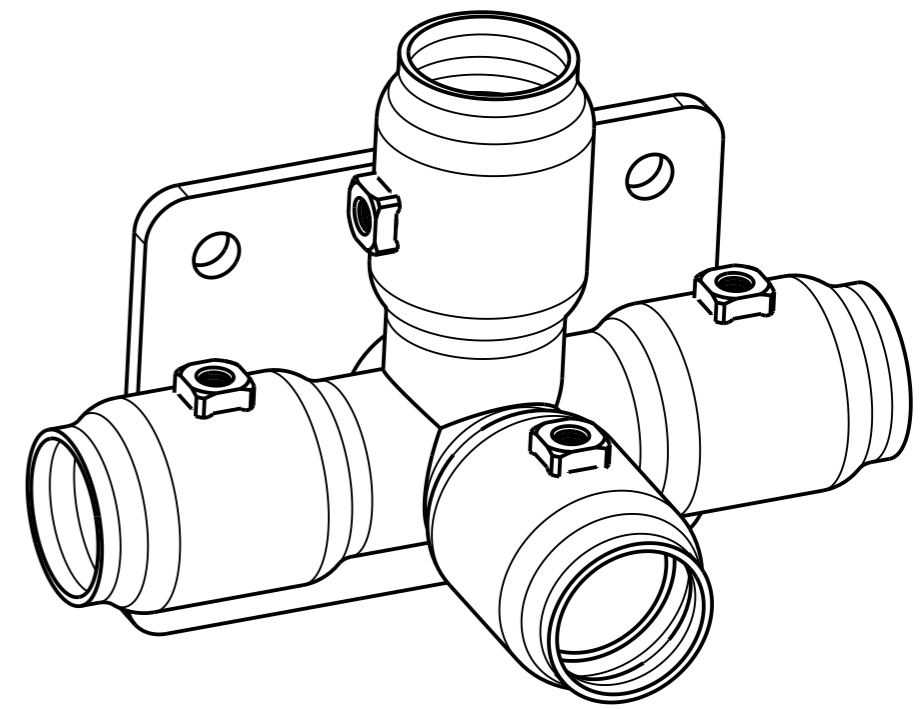
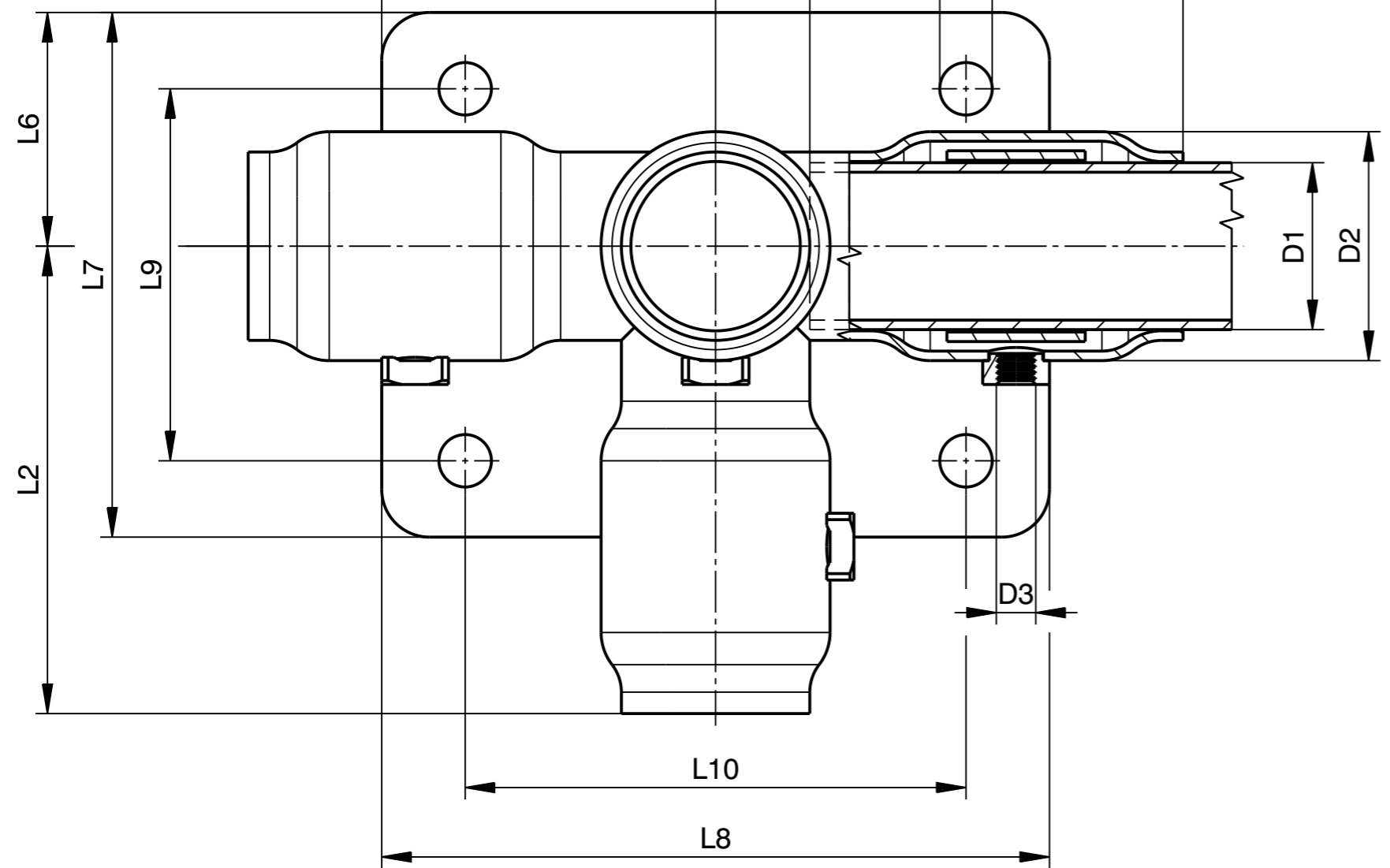
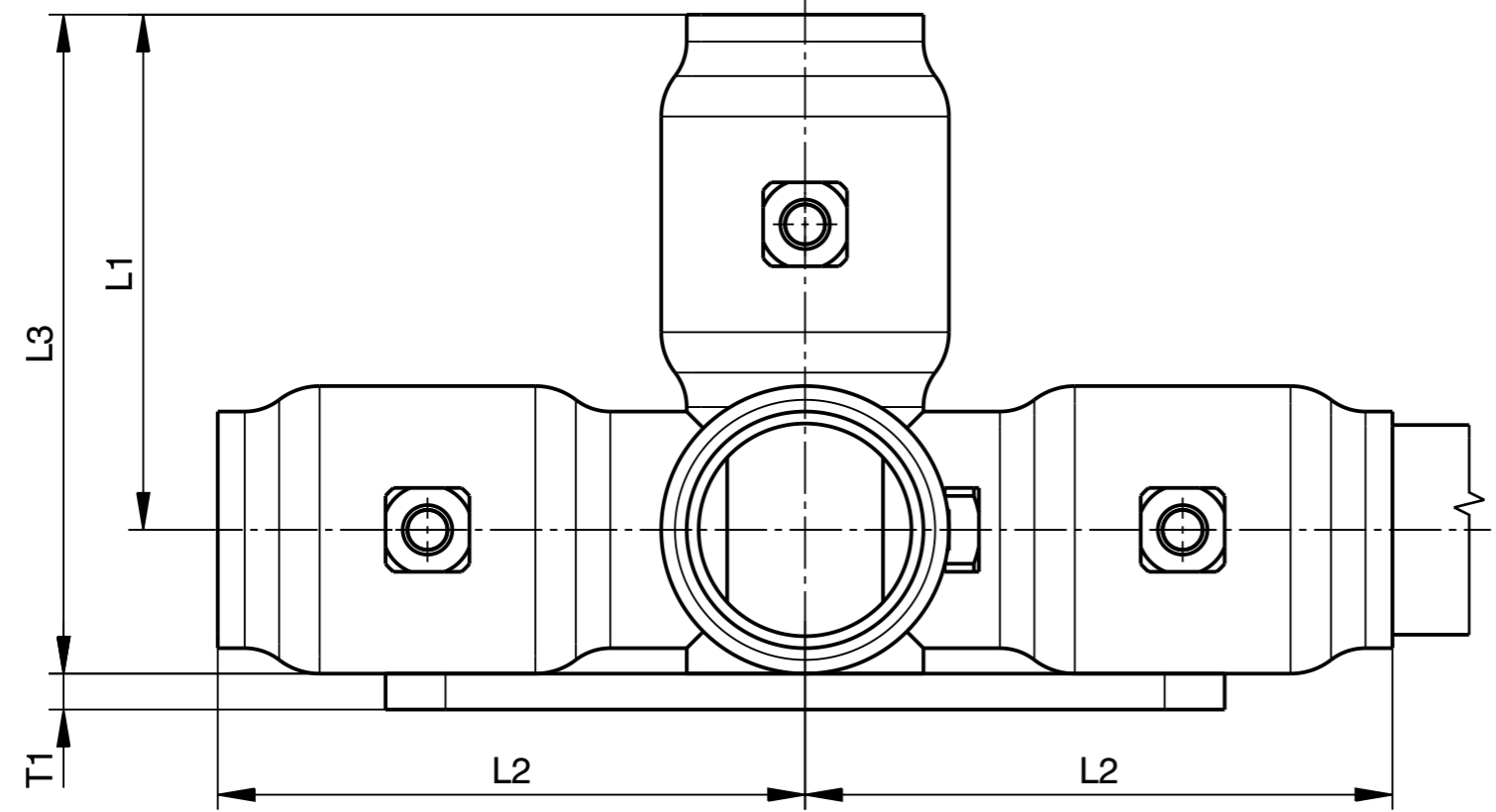


Revision No.	Location	Change description	Name	Date
.

Ritning	D1	D2	D3	D4	L1	L2	L3
35EA042	35	48	M8	11	86	98	110

L4	L5	L6	L7	L8	L9	L10	T1
78	70	49	110	140	78	105	6



Symbols, designations and general drawing methods STD 5023,503 and STD 101-0005		View placement Reference arrow method: ISO 128-30:2001	
Document title			
Document type DRAWING			
Scale 1:2	Drawn Ola Nilsson	Date 2014-07-28	
Document No 35EA042		Revision No.	Sheet No 1/1