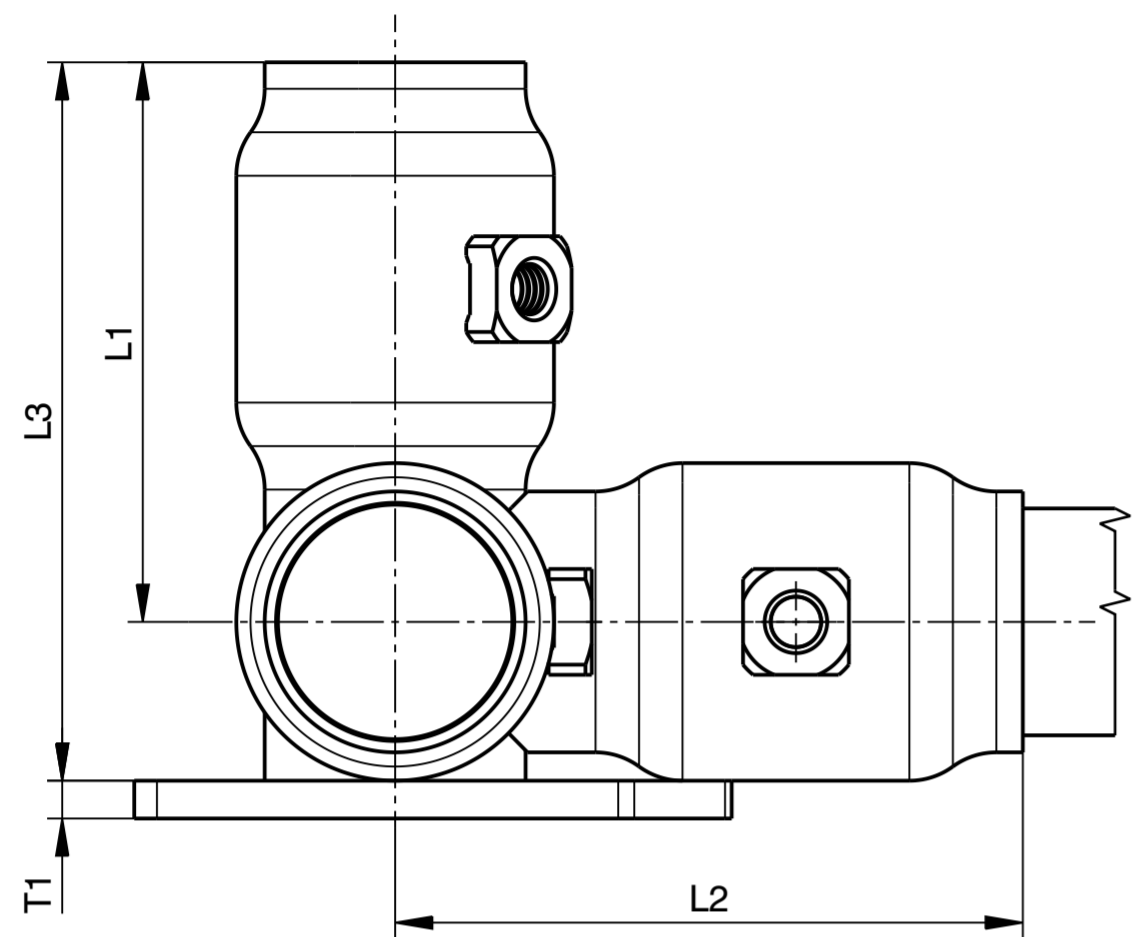


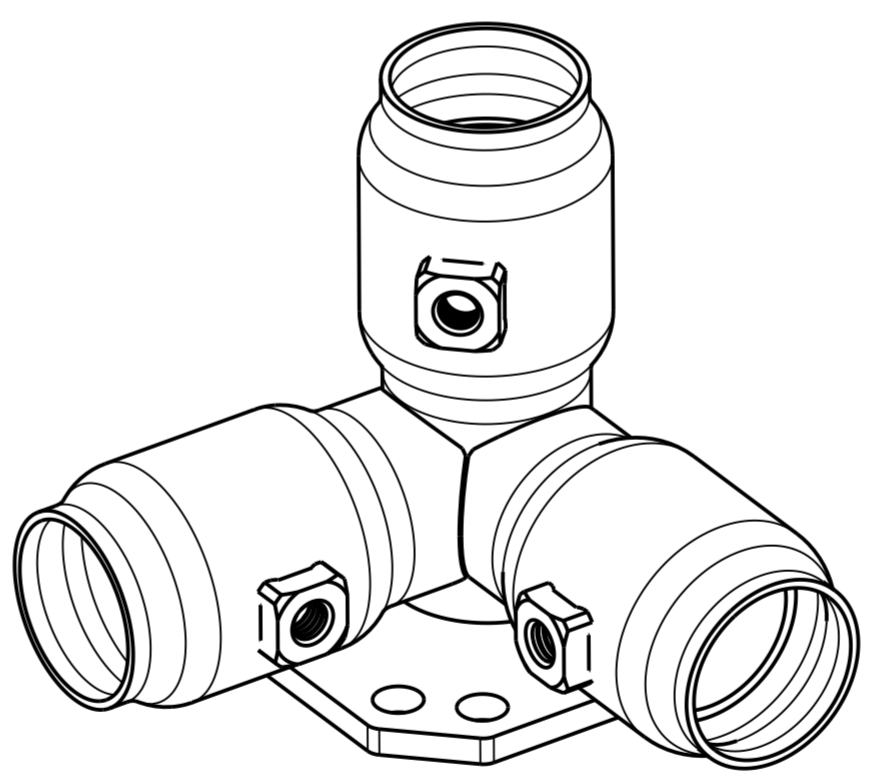
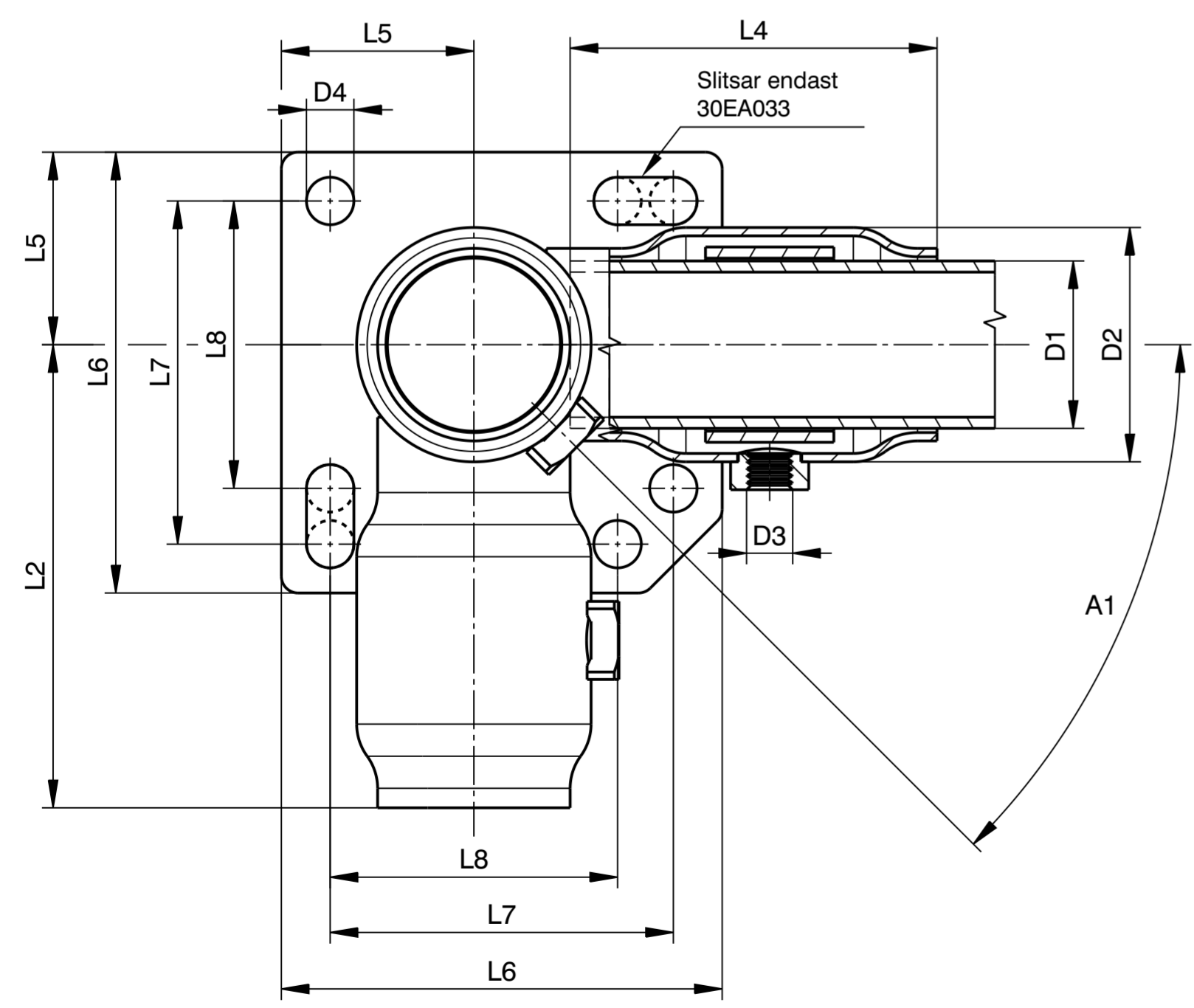
H G F E D C B A

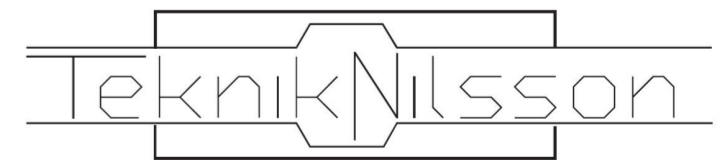
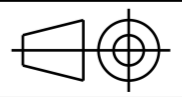
8
7
6
5
4
3
2
1



Ritning	D1	D2	D3	D4	L1	L2	L3
30EA033	30	42	M8	8,5	74	83	95
35EA033	35	48	M8	11	86	98	110

L4	L5	L6	L7	L8	A1	T1
66	34,5	79	61,5	51,5	45°	5
78	49	140	105	78	45°	6



DESIGNED BY:					
DATE:					
CHECKED BY:					
DATE:					
SIZE A2		TITLE			
SCALE 1:2	WEIGHT (kg)	Generell Tolerans ISO 13920-BE	DRAWING NUMBER 30-35EA033	Revision	SHEET 1/1

This drawing is our property; it can't be reproduced or communicated without our written agreement.

H G B A