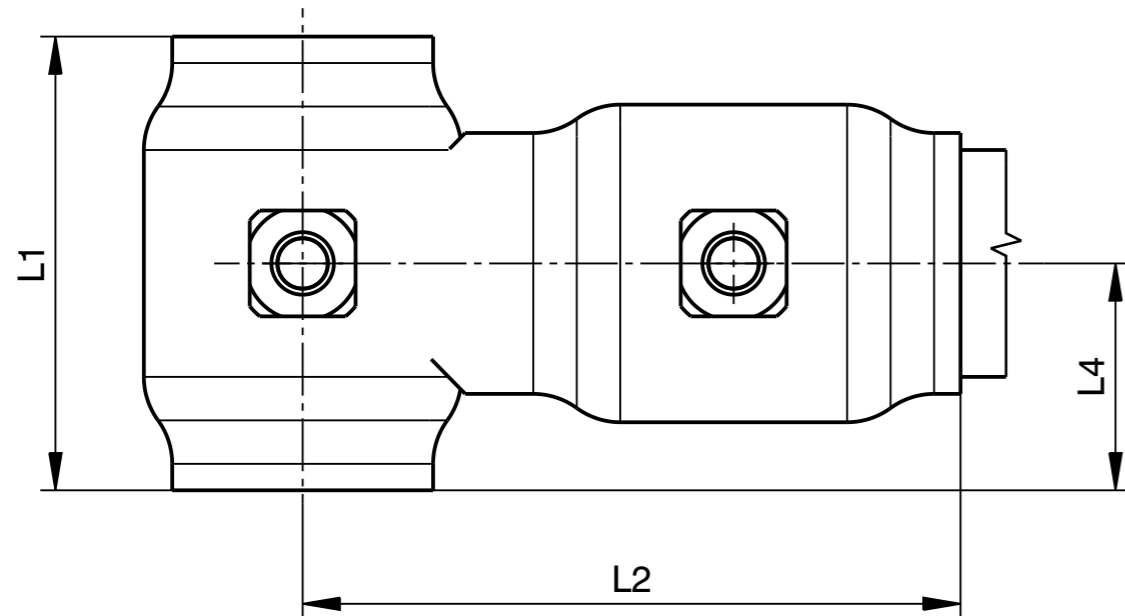
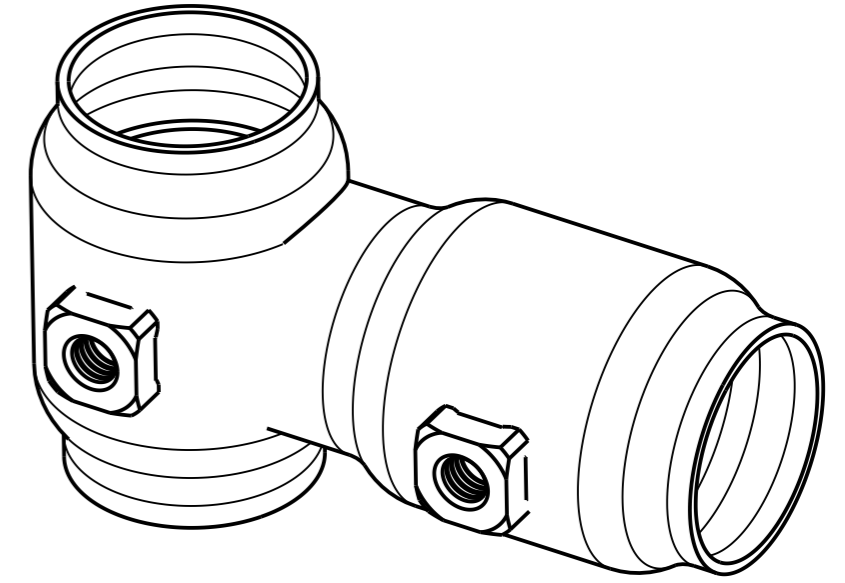
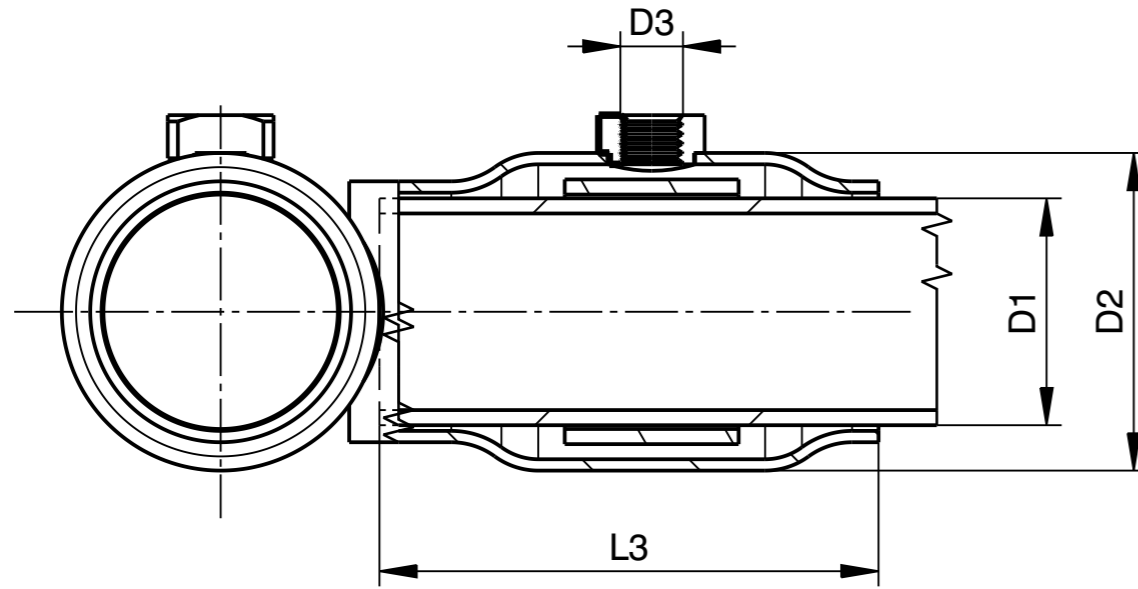


Revision No.	Location	Change description	Name	Date
.



Ritning	D1	D2	D3	L1	L2	L3	L4
30EA023	30	42	M8	60	87	66	30
35EA023	35	48	M8	70	103	79	35

Symbols, designations and general drawing methods STD 5023,503 and STD 101-0005		View placement Reference arrow method: ISO 128-30:2001	
Document title			
Document type DRAWING			
Scale 1:1	Drawn Ola Nilsson	Date 2014-07-25	
Document No 30-35EA023		Revision No.	Sheet No 1/1