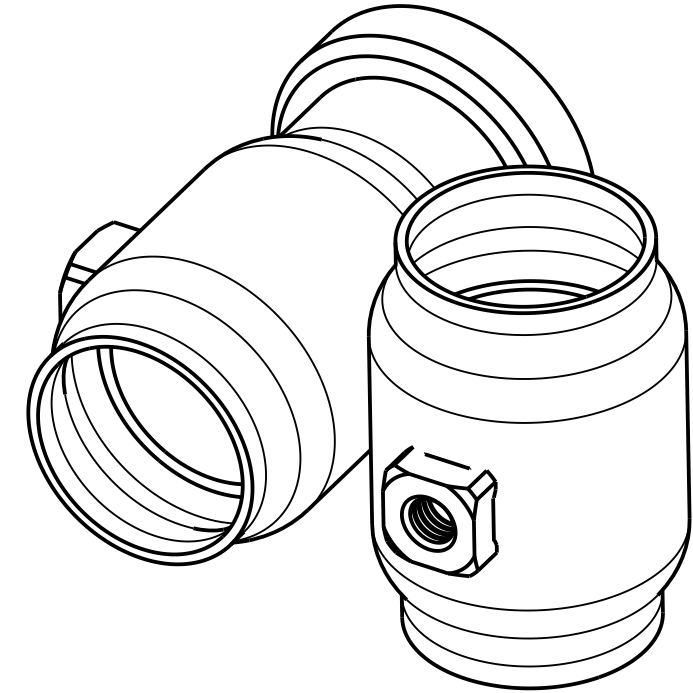
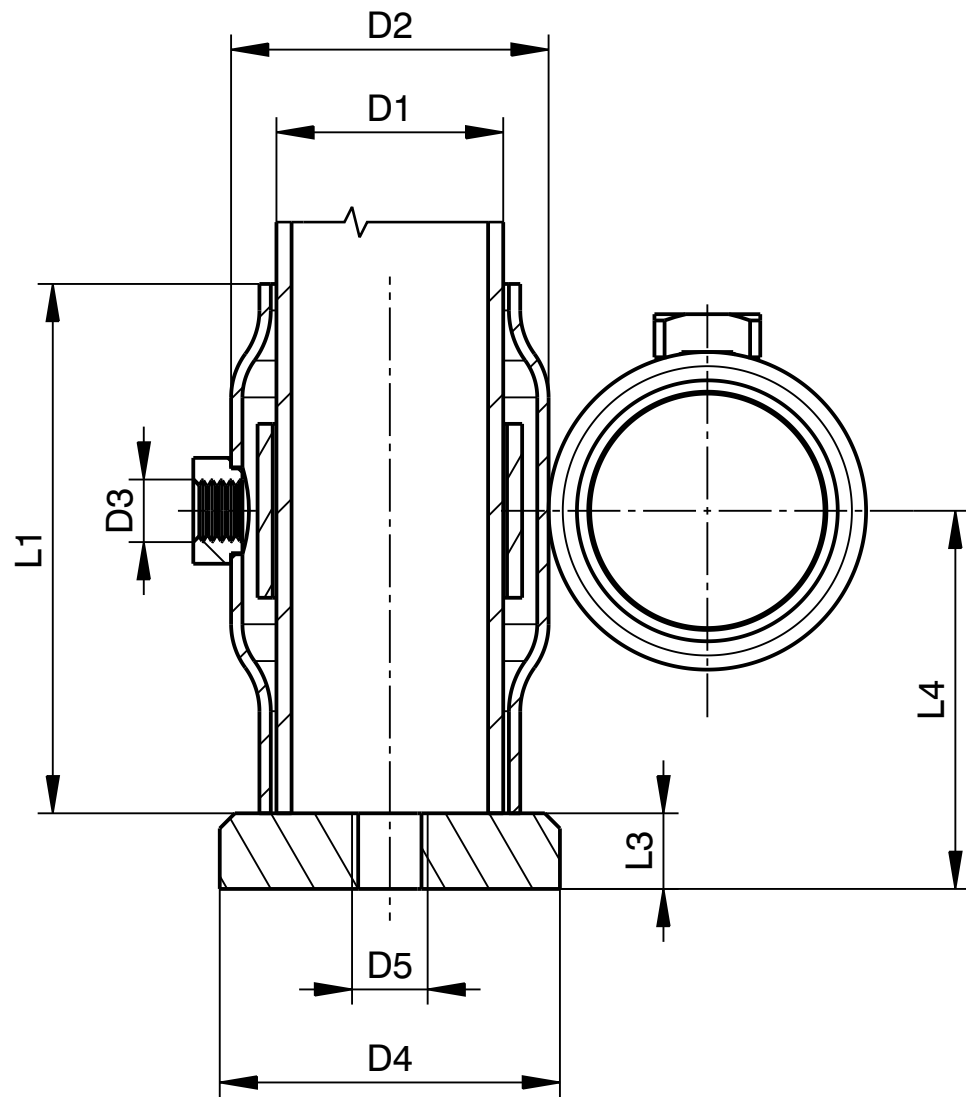
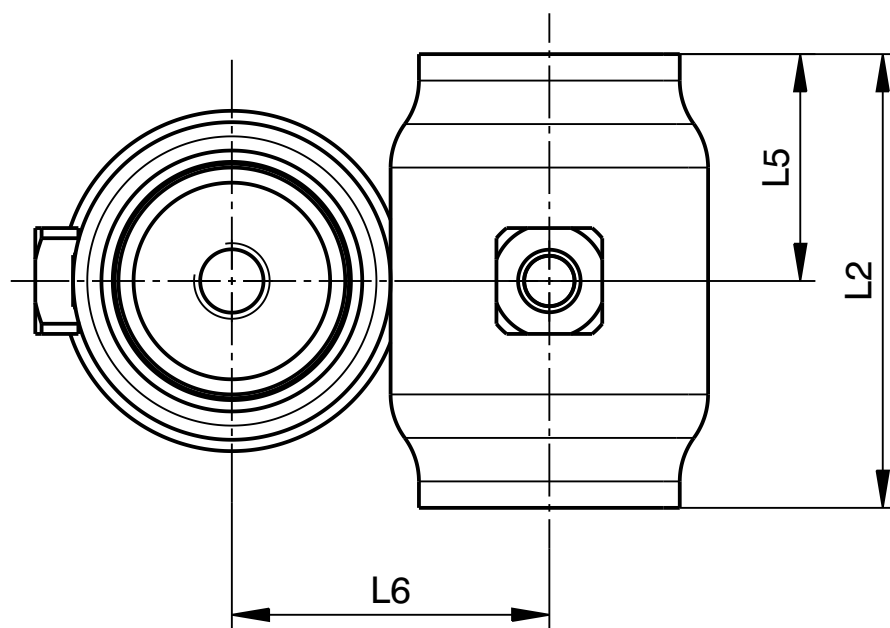


Revision No.	Location	Change description	Name	Date
.



Ritning	D1	D2	D3	D4	D5	L1	L2	L3	L4	L5	L6
30EA022	30	42	M8	45	M10	70	60	10	50	30	42
35EA022	35	48	M8	45	M10	85	70	10	60	35	48



Symbols, designations and general drawing methods STD 5023,503 and STD 101-0005		View placement Reference arrow method: ISO 128-30:2001	
Document title			
Document type DRAWING			
Scale 1:1	Drawn Ola Nilsson	Date 2014-07-28	
Document No 30-35EA022		Revision No.	Sheet No 1/1