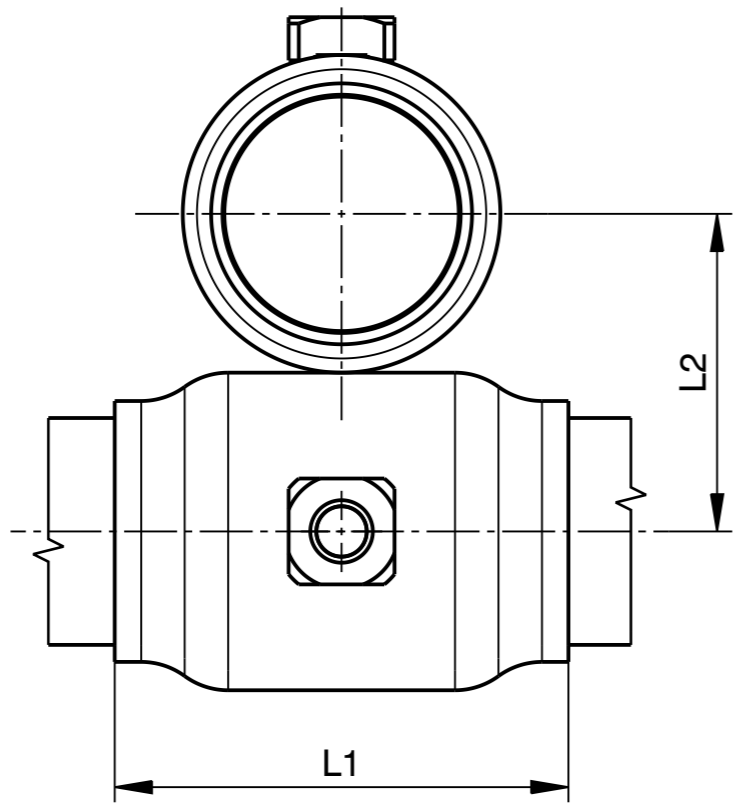
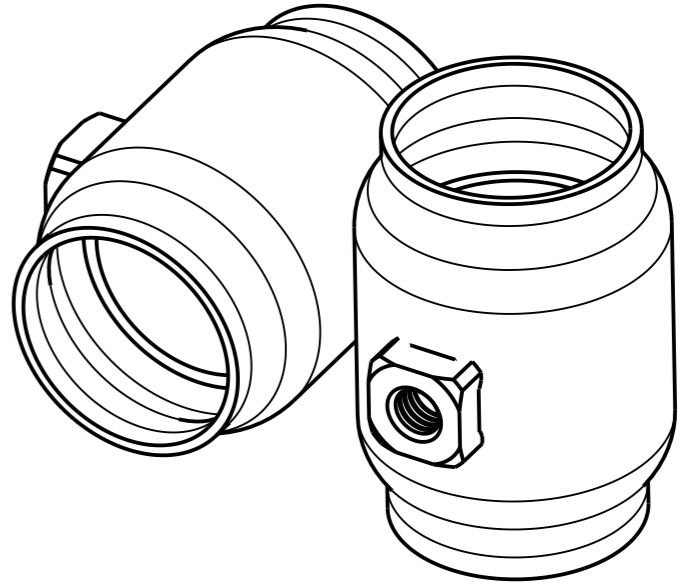
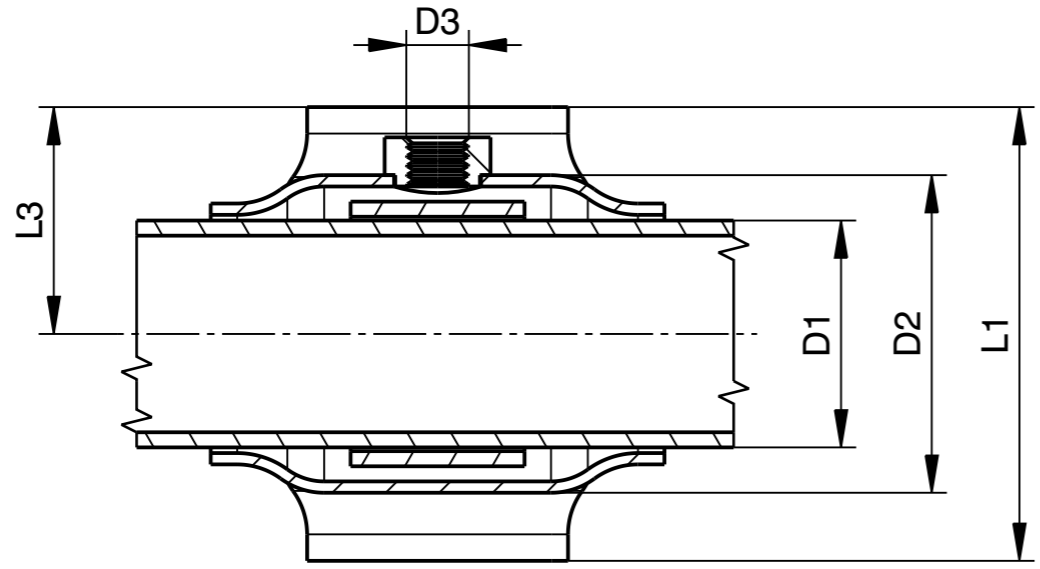


Revision No.	Location	Change description	Name	Date
.	.	.	.	.



Ritning	D1	D2	D3	L1	L2	L3
30EA021	30	42	M8	60	42	30
35EA021	35	48	M8	70	48	35

Symbols, designations and general drawing methods STD 5023,503 and STD 101-0005		View placement Reference arrow method: ISO 128-30:2001	
Document title			
Document type <b>DRAWING</b>			
Scale 1:1	Drawn Ola Nilsson	Date 2014-07-21	
Document No <b>30-35EA021</b>		Revision No.	Sheet No <b>1/1</b>