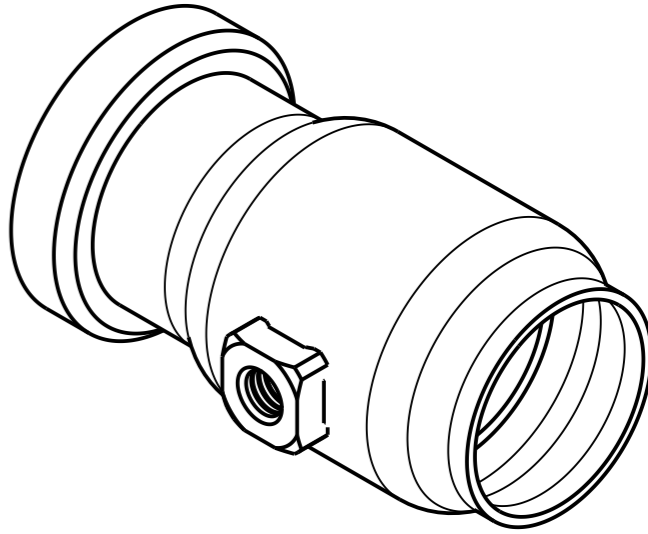
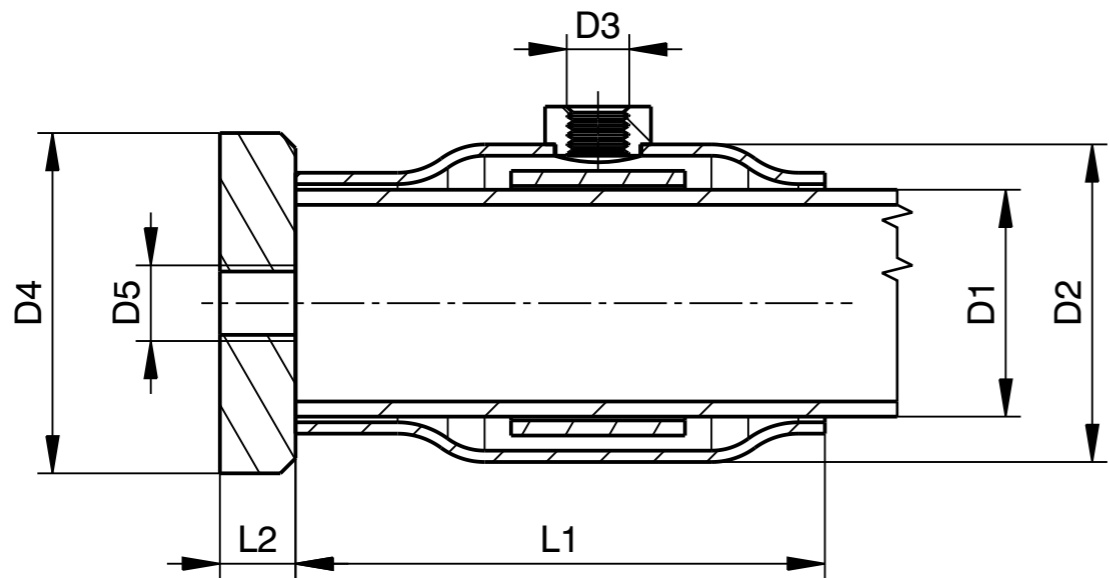
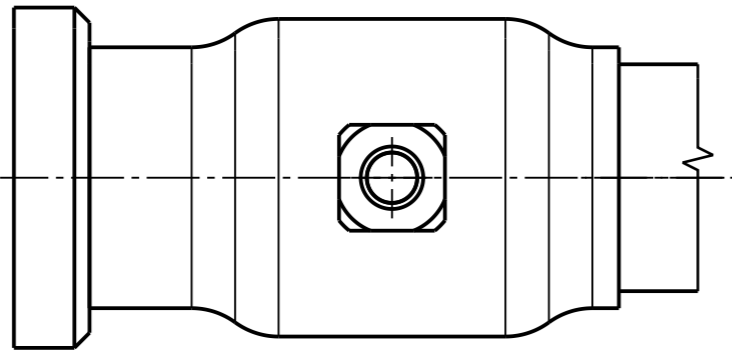


Revision No.	Location	Change description	Name	Date
.



Ritning	D1	D2	D3	D4	D5	L1	L2
30EA013	30	42	M8	45	M10	70	10
35EA013	35	48	M8	45	M10	85	10



Symbols, designations and general drawing methods STD 5023,503 and STD 101-0005		View placement Reference arrow method: ISO 128-30:2001	
Document title			
Document type DRAWING			
Scale 1:1	Drawn Ola Nilsson	Date 2014-07-21	
Document No 30-35EA013		Revision No.	Sheet No 1/1