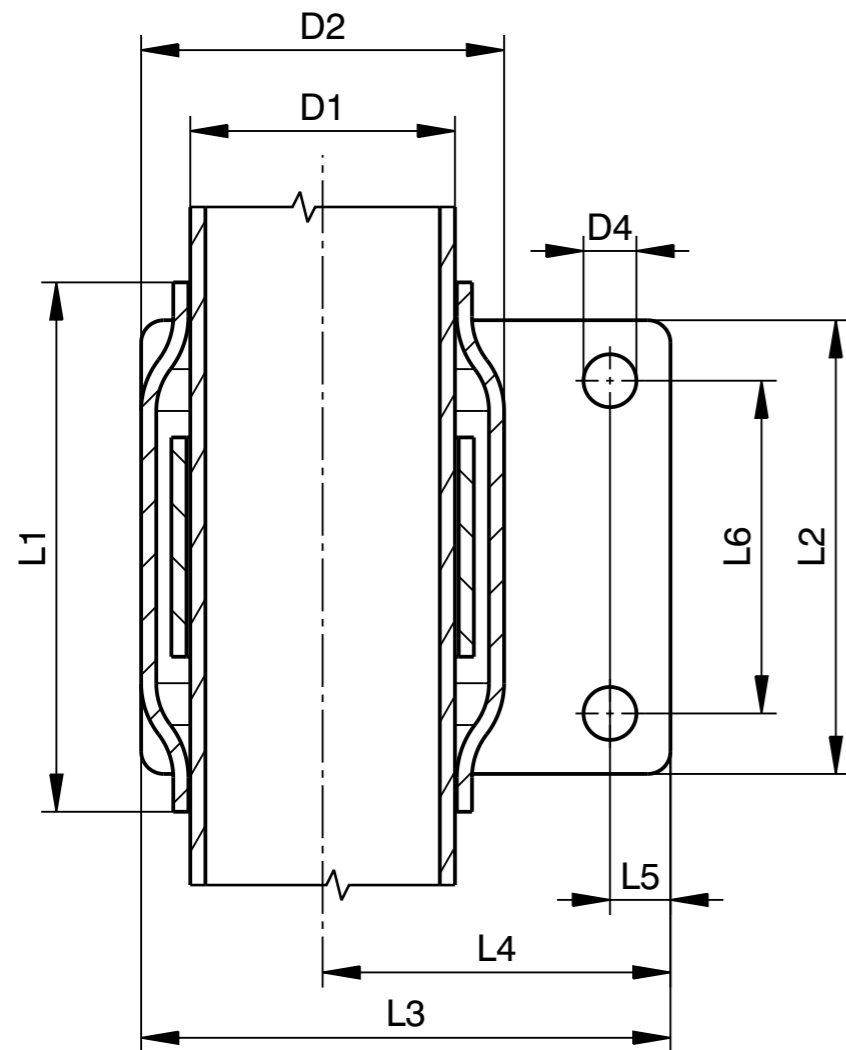
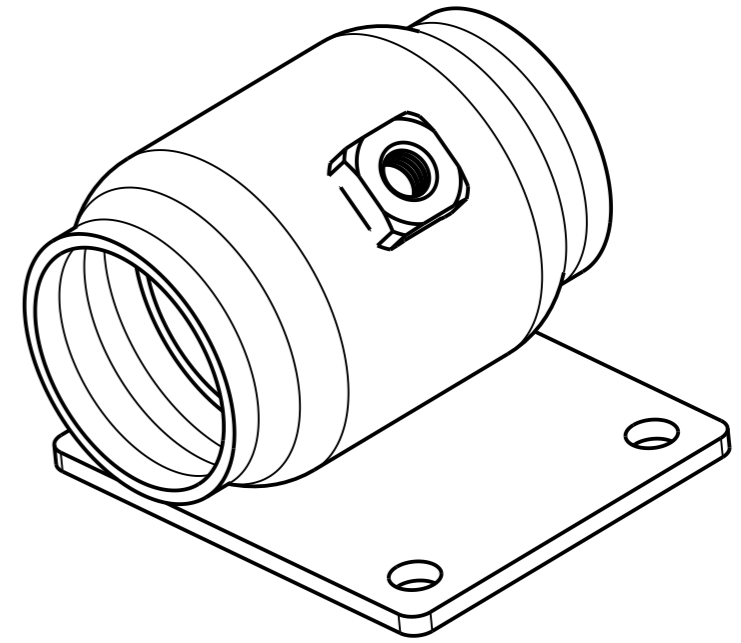
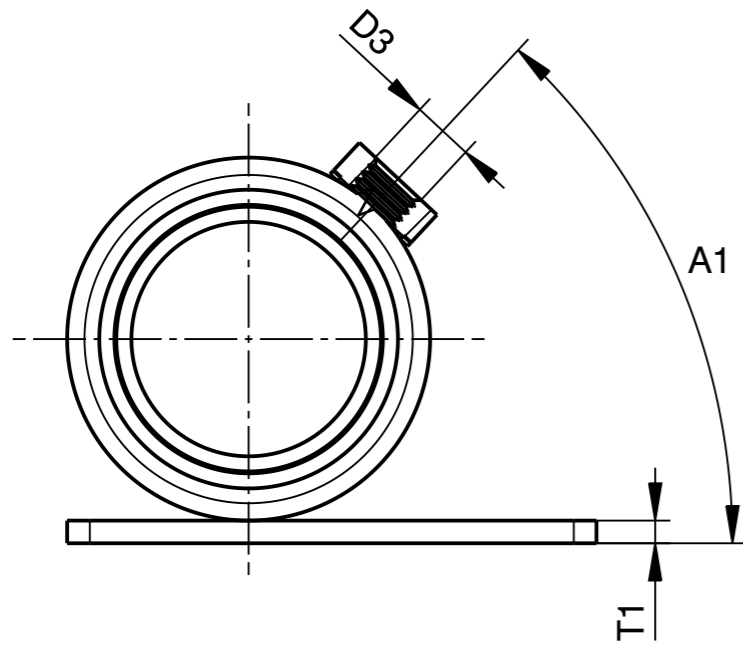


Revision No.	Location	Change description	Name	Date
.



Ritning	D1	D2	D3	D4	L1	L2	L3	L4	L5	L6	A1	T1
30EA012	30	42	M8	7	60	60	70	48,5	8	44	47	3
35EA012	35	48	M8	7	70	60	70	46	8	44	47	3

Symbols, designations and general drawing methods STD 5023,503 and STD 101-0005		View placement Reference arrow method: ISO 128-30:2001	
Document title			
Document type DRAWING			
Scale 1:1	Drawn Ola Nilsson	Date 2014-07-28	
Document No 30-35EA012		Revision No.	Sheet No 1/1