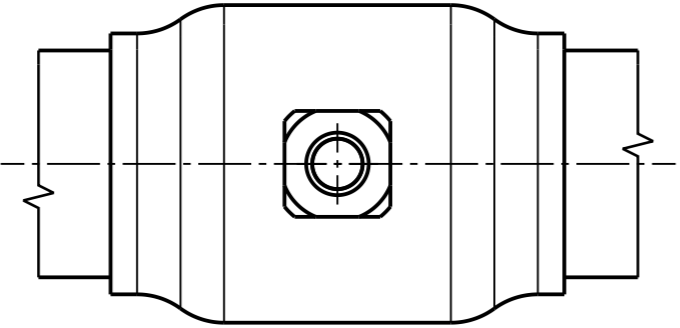
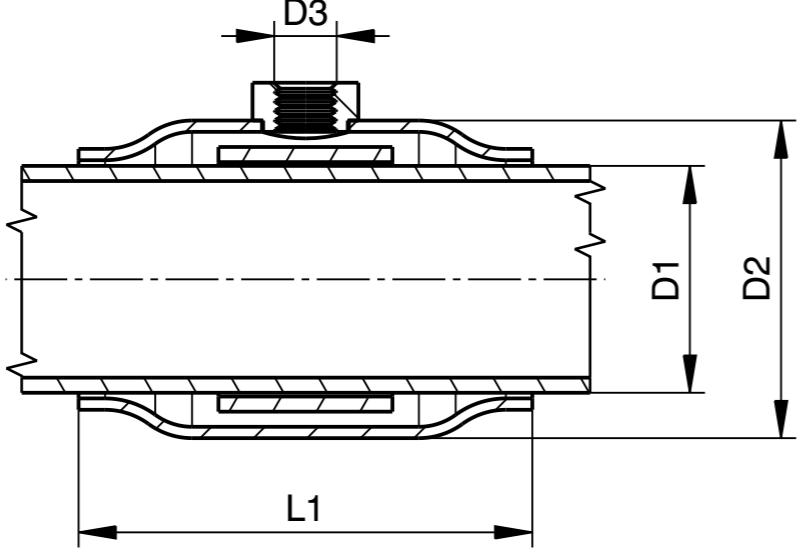
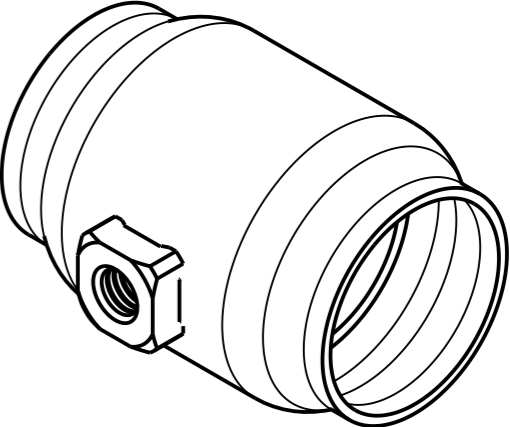


Revision No.	Location	Change description	Name	Date
.	.	.	.	.



Ritning	D1	D2	D3	L1
30EA011	30	42	M8	60
35EA011	35	48	M8	70

Symbols, designations and general drawing methods STD 5023,503 and STD 101-0005		View placement Reference arrow method: ISO 128-30:2001	
Document title			
Document type			
Scale 1:1	Drawn Ola Nilsson	Date 2014-07-21	
Document No <b>30-35EA011</b>		Revision No.	Sheet No <b>1/1</b>